

# SENTRY HRX SAMPLER

## Strip Samplers

### AUTOMATIC SAMPLING

The Sentry® HRX automatic strip sampler automates sampling of dry free-flowing materials such as granules, powders, flakes, pellets, grain or seed from positive or negative pressure systems, gravity chutes and hoppers. A strip sampler captures a sample strip across the diameter of a process stream, and is used in situations where material segregation exists.

To obtain a sample, the Sentry HRX sampler's air cylinder moves a sample probe into the process stream. While in line, the tube continuously takes sample and discharges it through a flexible hose to a collection point. Material characteristics are not affected by the sampler because no moving parts convey the sample to the sample container. Sample volume can be changed at the sampler controller.

#### MODEL

HRX

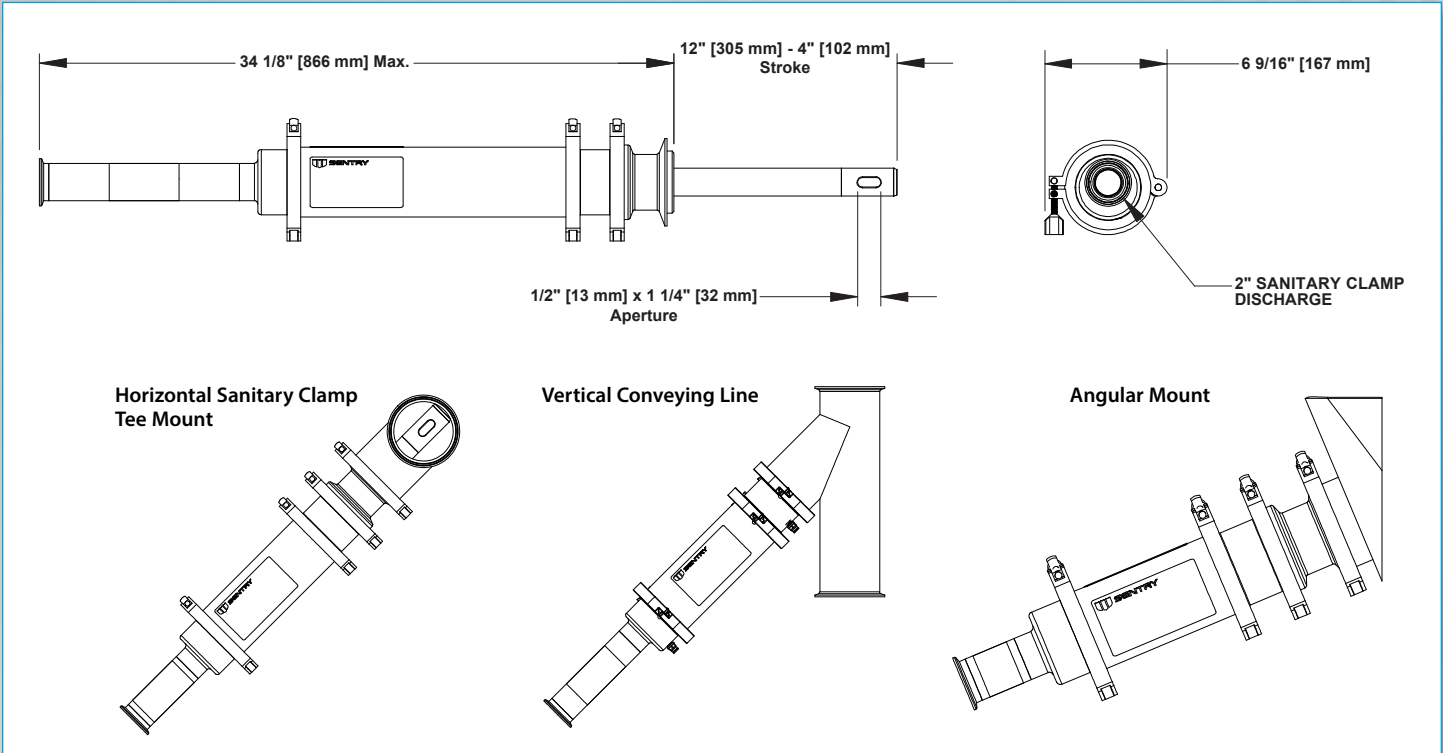
#### BENEFITS

The Sentry HRX sampler combines proven representative sampling technology with a hygienic, fast-clean design that nearly eliminates the potential for bacterial build up. With representative sampling, characteristics of each sample match that of the entire lot or batch—so samples are repeatable, leading to accurate sample analysis data. Automatic sampling ensures a sample can be easily and safely obtained with no need for direct human interface or interference. This ensures sample integrity as well as operator safety.

#### FEATURES

- Customized to meet various application needs
- Tube retracts from the line to avoid any restriction in the product flow
- Wetted components are 300 series stainless steel & food grade plastic
- UHMW or PTFE seals
- FKM food grade gaskets
- Designed to eliminate the degradation of sample material
- Compact and low maintenance
- No moving parts in conveyance from sampler to container, keeping material characteristics consistent
- Versatile design installs in drop chutes, bins, hoppers, pipes or air slides
- Stroke lengths of 4, 6, 8, 10 and 12 inches (102, 152, 203, 254 and 305 mm)
- CE and ATEX compliant models available
- Includes air filter, regulator and gauge where applicable
- Custom mounting adapters for round, square or other shaped chutes or pipes





**SPECIFICATIONS**

<b>materials</b>	300 series stainless steel, UHMW-PE, PTFE, FKM, anodized aluminum
<b>contact surfaces</b>	316 stainless steel; max 32 Ra finish
<b>seal certifications</b>	FDA & EC 1935/2004
<b>particle size</b>	10 µm to 1/4 in (6 mm)
<b>temperature rating</b>	-10 to 175°F (-23 to 79°C)
<b>air requirements</b>	air pressure of 60 to 80 psi (4.1 to 5.5 bar) recommended; air usage 8 in <sup>3</sup> (131 cc) per inch of stroke
<b>suggested connection to sample discharge</b>	flexible tubing to a collection container or indexing cabinet
<b>recommended sampler location</b>	positive or negative, horizontal or vertical dilute phase pneumatic conveying systems, bins, gravity spouts or hoppers
<b>quantity of sample</b>	determined by flow rate and retract time
<b>collection containers</b>	PET jar, 304 stainless steel jar, bag
<b>pressure rating</b>	up to 30 psi (2.1 bar)
<b>shipping weight</b>	approx. 25 lb (11.3 kg) for 12-inch (305 mm) stroke

**DASTEC S.R.L.**

Representantes / Distribuidores Exclusivos

Argentina  
 Tel: (+54 11) 5352 2500  
 Email: info@dastecsrl.com.ar  
 Web: www.dastecsrl.com.ar

Uruguay www.dastecsrl.com.uy

Paraguay www.dastecsrl.com.py

Bolivia www.tecdas.com.bo

[sentry-equip.com](http://sentry-equip.com)

966 Blue Ribbon Circle North, Oconomowoc, WI 53066 U.S.A. | +1-262-567-7256 | sales@sentry-equip.com

© 2016 Sentry Equipment Corp. All rights reserved. All product and company names are property of their respective owners. It is solely the responsibility of end users, through their own testing and analysis, to select products and materials suitable for their specific application requirements, ensure they are properly installed, safely applied and properly maintained, and to limit their use to their intended purpose. Improper selection, installation or use may result in personal injury or property damage.

S-SP-SPS-00486-0 11-16



COMPANY WITH  
 QUALITY SYSTEM  
 CERTIFIED BY DNV GL  
 = ISO 9001 =